

## Rail Mounting Kit Installation Instructions

*for the HP ProCurve Switches*

---

HP ProCurve switches can be mounted with the optional Rail Mounting Kit (5070-0145) for support or shipment in an HP 10000 series rack. These rails stabilize the switch, so the rack or cabinet can be shipped without removing the switch.

---

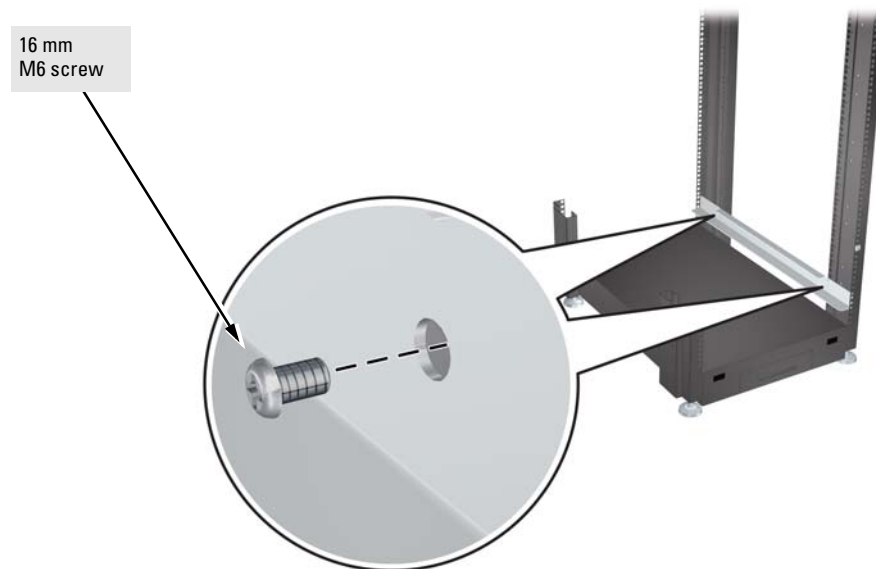
### Note

Even though the illustrations show a Switch 5406zl, the instructions apply to all zl chassis and Series 6600 Switch models.

---

1. Use a posi-drive screwdriver, two included 16-mm M6 screws, and two included M6 cage nuts to attach each rail to the rack or cabinet as shown in the following illustration. Ensure that the screws are at the same level in each upright.

Devices installed in a rack or cabinet should be mounted as low as possible, with the heaviest device at the bottom and progressively lighter devices installed above.



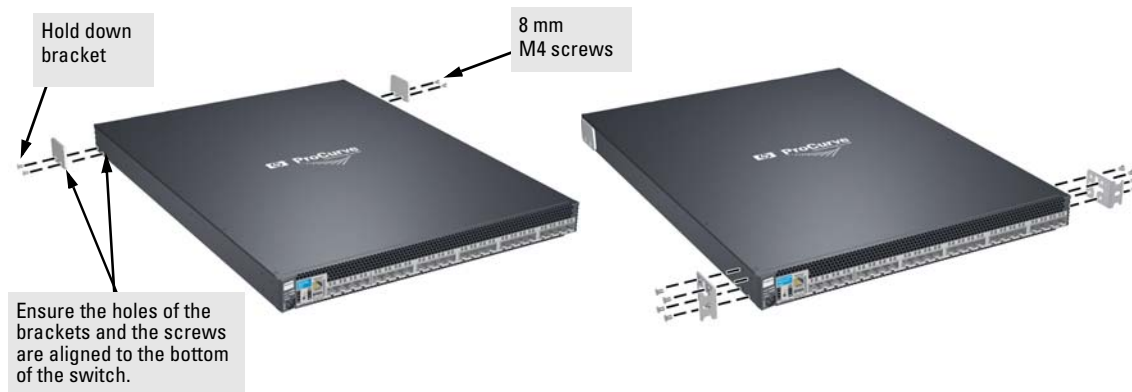
**Figure 1. Attaching Rails to a Rack**

---

2. Use a #1 Phillips (cross-head) screwdriver and two included 8-mm M4 flat head screws to attach a hold-down bracket to the chassis as shown in the following illustration. Ensure that each hold-down bracket is positioned at the lower rear corners of the chassis.
3. Use a #1 Phillips (cross-head) screwdriver to attach the mounting brackets to the switch with the included 8-mm M4 screws. Each bracket is attached with four screws as shown in figure 3.

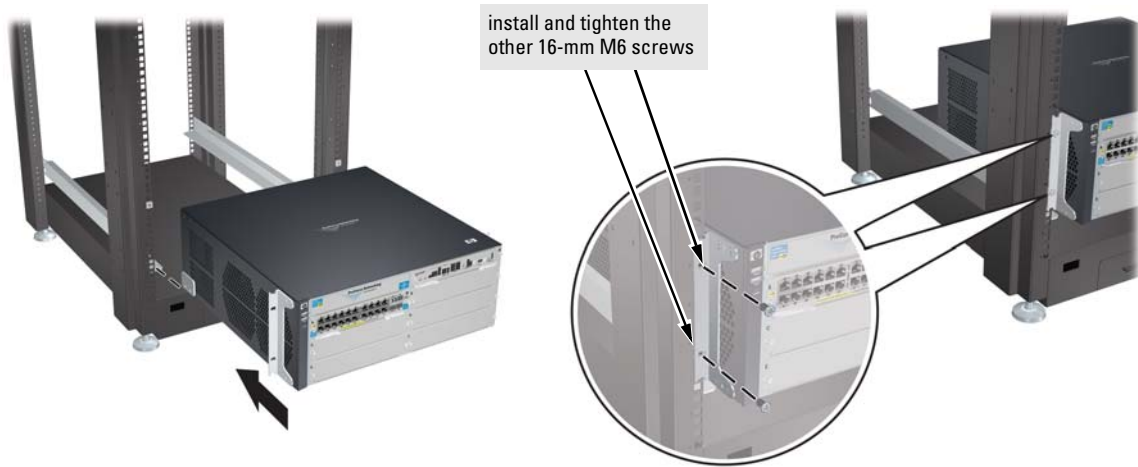


**Figure 2. Attaching hold-down and mounting brackets to a chassis**



**Figure 3. Attaching hold-down and mounting brackets to a Series 6600 Switch**

- Slide the switch onto the rails in the rack until the mounting brackets are flush with the front of the cabinet.
- Install the number 16-mm M6 screws (included in the mounting bracket kit) into the upper and lower holes in each bracket. Tighten these screws.



**Figure 4. Sliding switch into rails and installing mounting brackets screws**



**Figure 5. Sliding the Series 6600 switch into rails and installing mounting brackets screws**

© Copyright 2006, 2007, 2008, 2009  
Hewlett-Packard Development  
Company, L.P. The information herein  
is subject to change without notice.

Part Number: 5991-8559  
January 2009

