

# HP ProCurve 6600 Switch 4-Post Rack Mount Kit Installation Instructions

The 4-Post Rack Mount Kit (J9469A) is designed to stabilize and support an HP ProCurve 6600 Switch that is mounted in a four-post rack. The following types of four-post racks are supported:

- Vertical posts with square mounting holes: EIA 310-d hole size (0.375 in x 0.375 in). The screws and pins for square-hole posts are pre-installed on the rails.
- Vertical posts with round mounting holes; round-hole size is from 7.2 to 7.3 mm in diameter. The screws and pins for round-hole posts are shipped in the accessory bag with the kit.

To install the 4-Post Rack Mount, follow these steps:

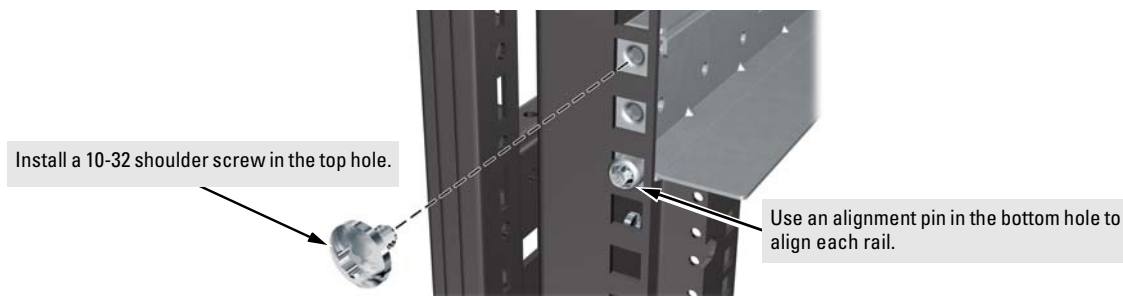
1. Install the rails in the rack.
2. Install the switch on the rails.
3. Connect and route the power cables (including an air plenum for power-side mounting).
4. Secure the switch to the rack.

## 1. Install the rails in the rack.

- a. Determine the height in the rack at which you want to mount the switch. Align the mounting holes at each end of a rail with the holes on the front and back rack posts so that they are at the same height.

For a square-hole rack, leave the pre-installed square-hole pin in each rail. Unscrew and re-install the 10-32 screw on each rail to secure it to the rack. (For a square-hole Panduit rack with grounding strips, unscrew the 10-32 screws and install the green grounding screws (5183-2026) shipped with the 4-Post Rack Mount Kit.)

For a round-hole rack, install the alternate round-hole pins that are shipped with the kit to set the rails in the rack. Install the alternate round-hole screws to secure the rails. (The round-hole screws have a different shoulder than the square-hole screws.)



**Figure 1. Attaching Rails to a Rack**

## 2. Install the switch on the rails.

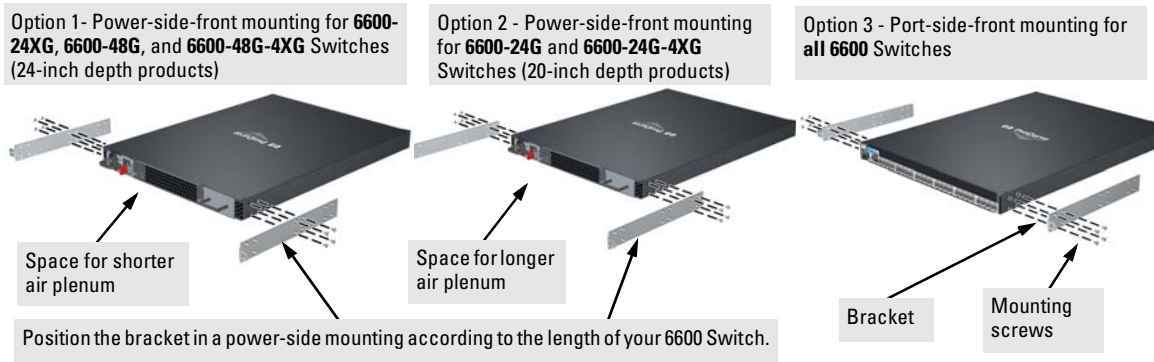
- a. Install the mounting brackets on the switch.

If you install a 6600 Switch with the power side facing the cold aisle, you must install the switch as shown in Option 1 or 2 to leave space for an air plenum.

If you install a 6600 Switch with the port side facing the cold aisle, you must install the switch as shown in Option 3 without an air plenum.

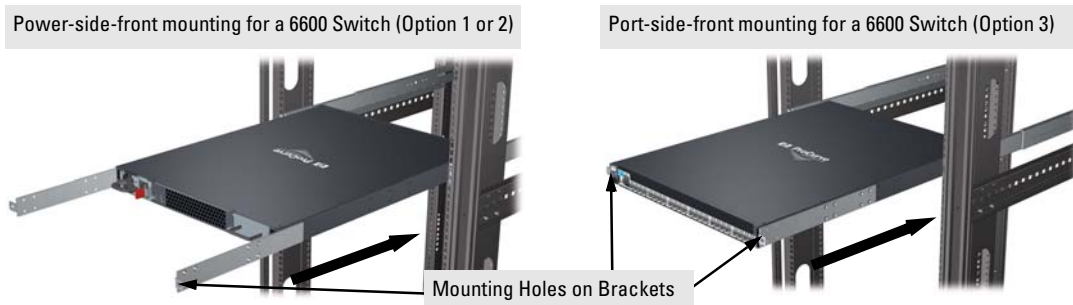
Depending on whether you install the switch in a power-side or port-side mounting, locate the set of holes where you want to attach the mounting brackets. Use eight M4 8mm screws (four per bracket) to attach both brackets.

Note that in a power-side mounting, you must attach the brackets in different positions according to the length of a 6600 Switch. The brackets will extend beyond the back of the switch.



**Figure 2. Attaching the Mounting Brackets on a 6600 Switch**

- b. Slide the switch onto the rails until the switch is fully inserted and the mounting hole in each bracket lines up with the mounting holes in the rack.



**Figure 3. Installing the Switch in the Rack**

**Important:** In a port-side or power-side mounting, you must ensure that the air flow direction is from the cold side to the hot side of the aisle. If necessary, reverse the direction of the fans to provide adequate switch cooling as described in Chapter 2, “Installing the Switch”, in the *6600 Switches: Installation and Getting Started Guide* at [www.procurve.com/manuals](http://www.procurve.com/manuals).

### 3. Connect and route the power cords.

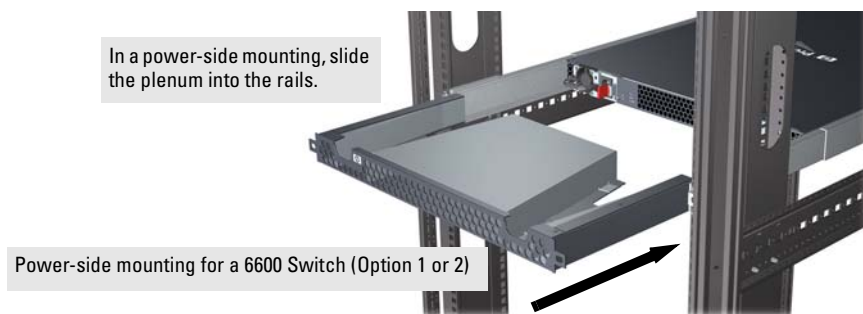
- a. Connect and secure each power cord with a velcro strap. Route each cord through the rack and plug it into an AC power source.
- b. Install the air plenum in a power-side mounting.

If you are installing a 6600 switch with the port side facing the cold aisle, no air plenum is necessary. Continue with Step 4.

If you are installing a 6600 switch with the power side facing the cold aisle, an air plenum is necessary. Use the correct plenum for the size of the switch being installed. The plenum comes in two sizes. Both plenums are installed in the same way.

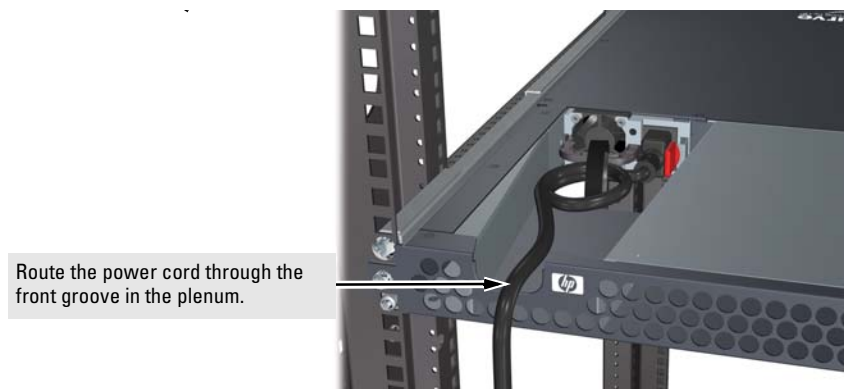
- J9480A is the shorter air plenum for 6600-24XG, 6600-48G, and 6600-48G-4XG Switches.
- J9481A is the longer air plenum for 6600-24G and 6600-24G-4XG Switches.

Slide the plenum into the rails until the plenum is fully inserted and the two mounting holes align with the mounting holes on the bracket and rack.

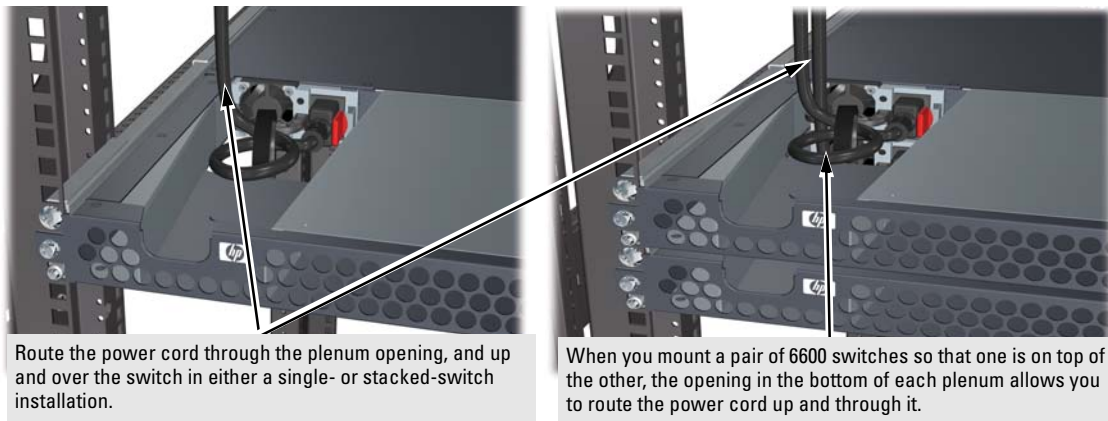


**Figure 4. Installing the Plenum**

Figures 5 and 6 show different ways in which you can route a power cord through the plenum in a power-side mounting.



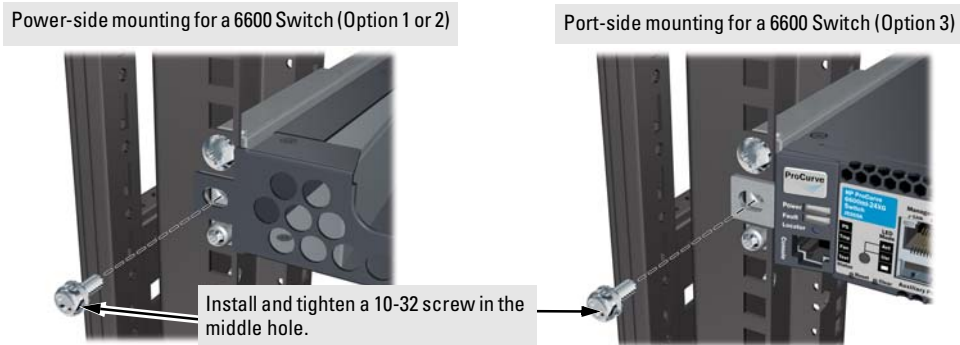
**Figure 5. Routing a Power Cord Through the Front of the Plenum**



**Figure 6. Routing a Power Cord Up and Over the Switch**

**4. Secure the switch to the rack.**

Use two 10-32 screws (one for each bracket) to tighten the plenum and mounting bracket (in a power-side mounting) or only the bracket (in a port-side mounting) to the rack.



**Figure 7. Securing the Switch to the Rack**

